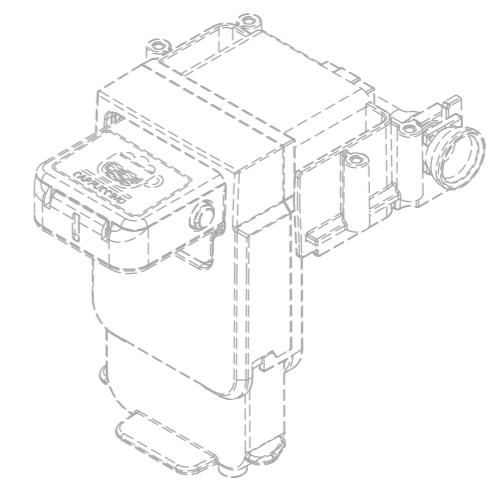
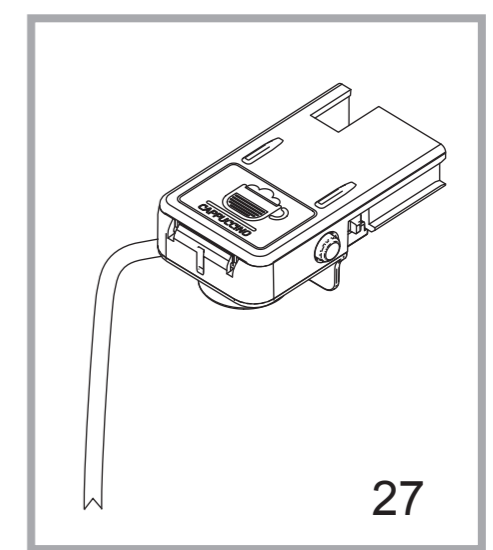
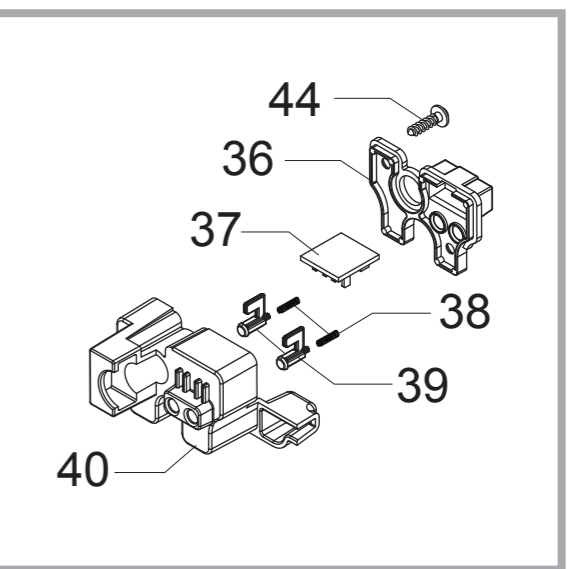
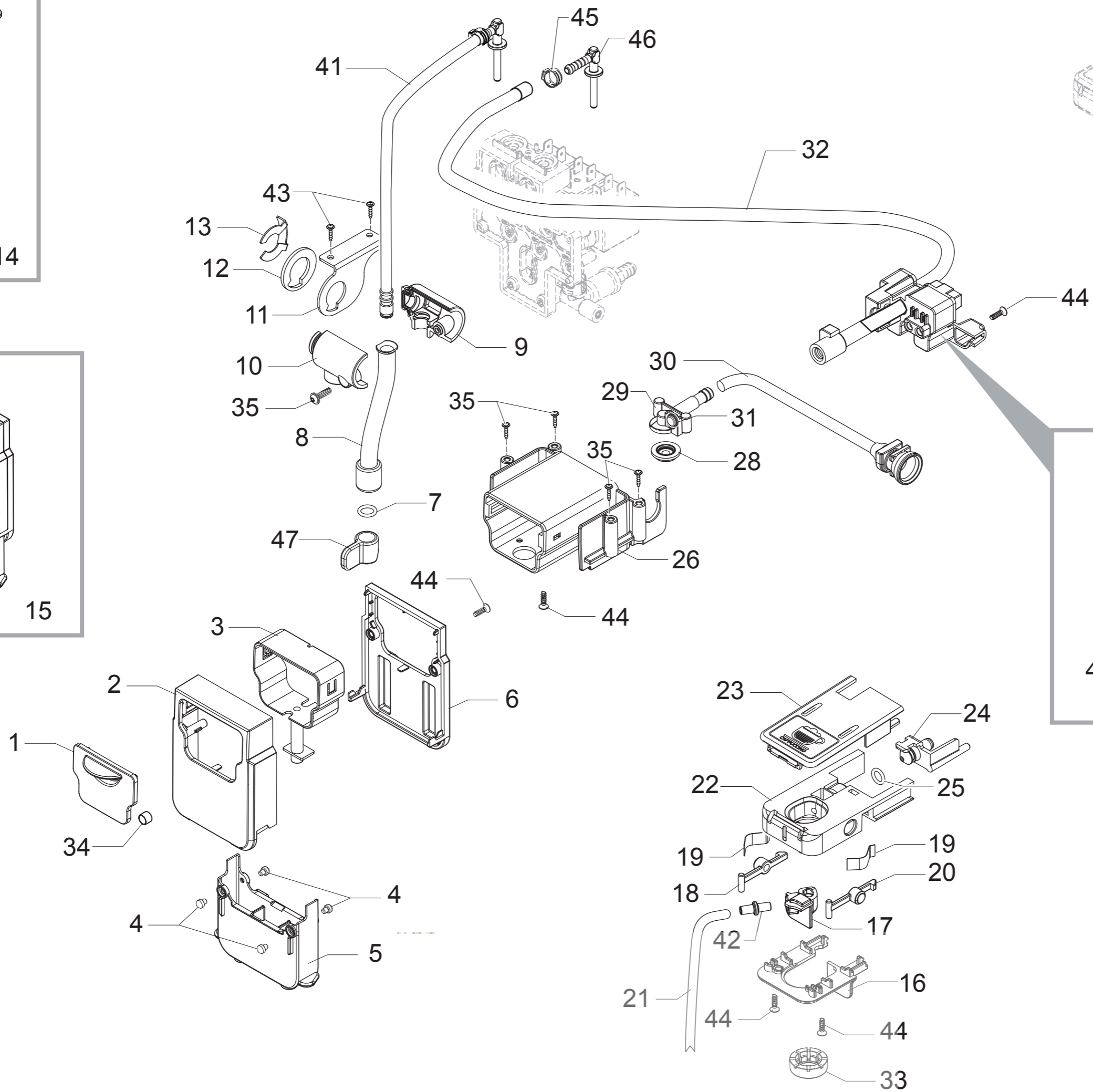
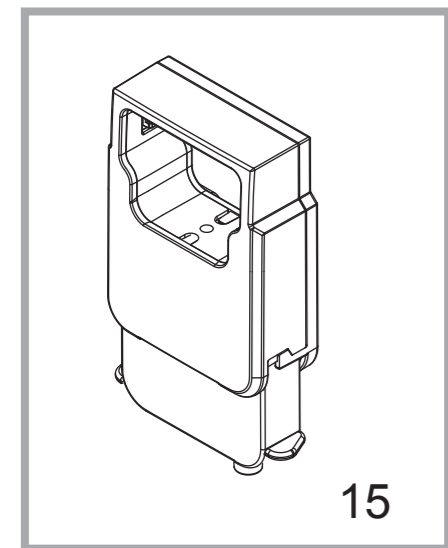
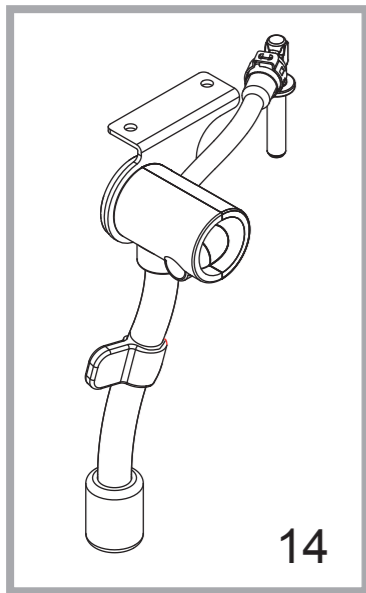


E74175

SUP040R

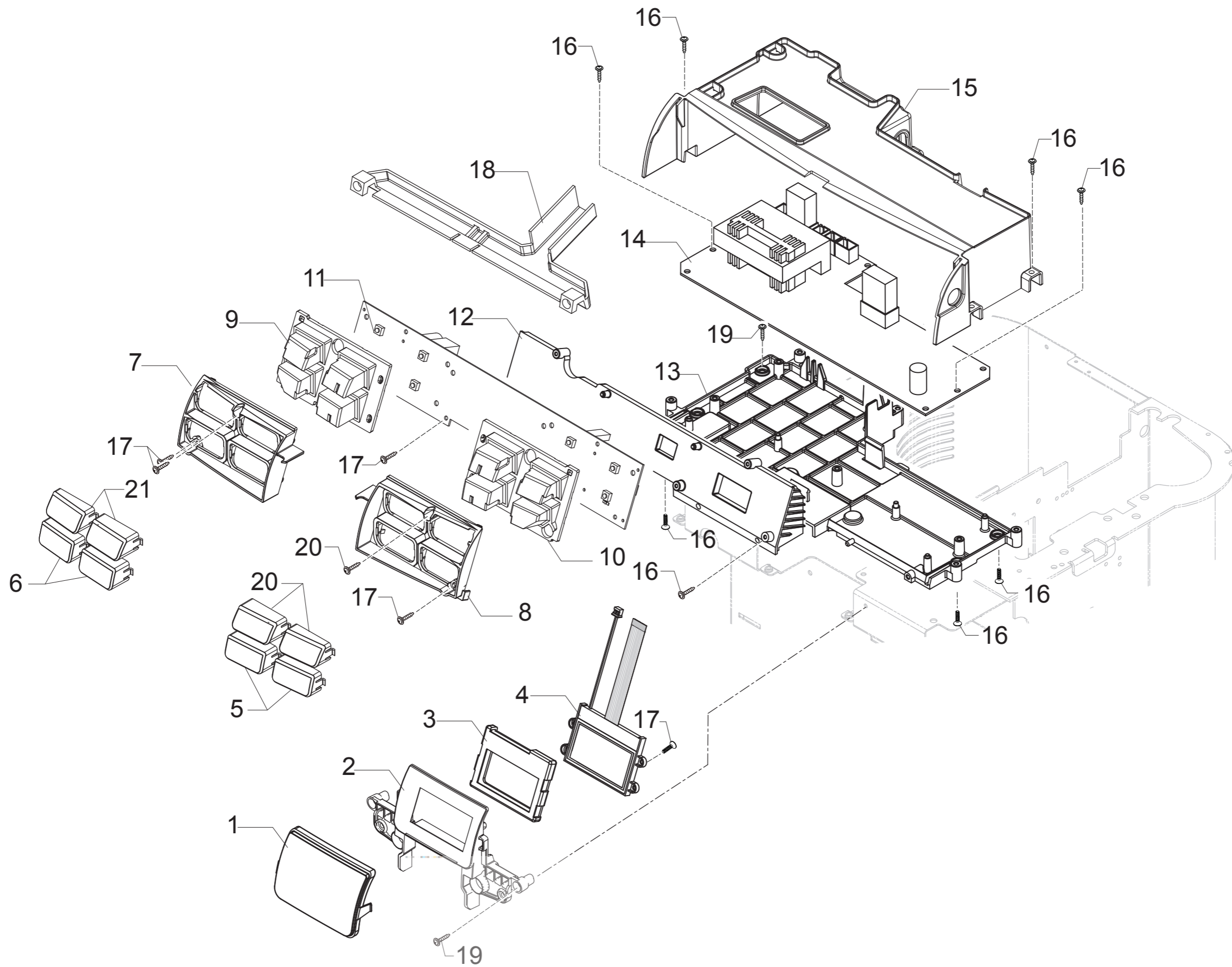
Pos	Article-Nr.	Description	Pos	Article-Nr.	Description
1	15002812	MANUAL SAE SUP040R RYLO GB	34	11025819	BLACK CASING DOOR RYL ASSY.
1	15002813	MANUAL SAE SUP040R RYLO DE	35	17000240	GREY MOUNTING PLATE INSERT RYL
1	15002814	MANUAL SAE SUP040R RYLO FR	36	127390100	BRUSH FOR CLEANING
1	15002815	MANUAL SAE SUP040R RYLO ES	37	11028379	PSA KLUBER TRIBOSTAR SIL 2 TUBE 5GR.
1	15003775	MANUAL SAE SUP040R RYLO BRA	38	11021769	BLACK RIGID FOOT FIXING PIN MYB9
1	15003906	MANUAL SAE SUP040R RYLO TWN	39	11021829	BLACK/TRANSP.RIGID FOOT MYB9
1	15003907	MANUAL SAE SUP040R RYLO KOR			
1	15003908	MANUAL SAE SUP040R RYLO CHN			
1	15003922	MANUAL SAE SUP040R RYLO RI 17LANG.			
2	17000736	RED KEY FOR SAFETY MICRO RYLO			
3	13001328	WHITE EXTERNAL BOX RYLO SAE			
4	17001988	STEEL CASING DOOR LOCK BRACKET RYLO			
5	0301.961	STICKER FOR WATER HARDNESS TEST			
6	17000779	BLACK STEAM TUBE PROTECTION RYL			
7	17800019	BLACK POWER CABLE BRAZIL L=1200			
7	183911050	BLACK POWER CABLE SCHUKO L=1200			
7	183940650	BLACK POWER CABLE AUSTRALIA L=1200			
7	11001985	BLACK POWER CABLE KOREA L=1200			
7	11004246	BLACK POWER CABLE TAIWAN HVCTF L=1200			
7	11004247	BLACK POWER CABLE RVV 3X1 CHINA L=1200			
8	17000828	BLACK CASING BOTTOM PLUG RYLO			
9	12000895	SCREW TSP TORX 10 3X10 PLAST.SS			
10	13001327	HAVANA BOX RYLO SAE AULIKA			
11	421944011851	TXO/BLK FRONT CASING COVER RYL/T			
11	11030098	CRC FRONT CASING COVER RYL/T			
12	11025857	BLACK STEEL CASING RYLO/T ASSY.			
13	421941301161	BLK CASING LEFT CLOSING INSERT RYLO/T			
13	17002048	GREY CASING LEFT CLOSING INSERT RYLO/T			
14	11030103	CRC FRONT PANEL RYLO			
15	421946004691	3P.CONN.DUMP BOX REED SENS.V2 RYLO UL AS			
16	13001518	PS-E LEFT INSERT FOR BOX RYLO			
17	13001517	PS-E RIGHT INSERT FOR BOX RYLO			
18	11029624	CRC DUMP BOX RYLO ASSY.			
18	421944010831	TXO/BLK DUMP BOX RYLO ASSY.			
19	12001902	LOCK MERONI 337			
20	129535721	SCREW TSP TORX 10 AB 3,5X9,5 SHEET SS			
21	17000829	BLACK BEAN CONTAINER SENSOR SUPPORT RYLO			
22	0301.041.150	GREY BREW UNIT SUPPORT PLATE ROYAL			
23	0301.020	NIK/BRASS PIN FOR DOOR SUPERAUT.			
24	17001444	BLACK WATER LEVEL SENSOR SUPPORT RYLO			
25	0301.019	NIK/BRASS PIN FOR DOOR SUPERAUT.			
26	11031307	BLACK CASING RIGHT CLOSING INSERT RYL			
26	17001369	GREY CASING RIGHT CLOSING INSERT V2 RYL			
27	17000723	GREY DUMP BOX GUIDE RYL			
28	11003232	AS.CPU+SW WATER LEVEL SENSOR V2			
29	17000422	TRANSP.INFRAREDS PLATE RYL			
30	12000450	SCREW TCB TORX 10 3,5X12 PLAST.ZN-N			
31	20007081	SPARES KIT CRC CASING COVER S/SCR.RYLO			
31	421940813041	SPARES KIT TXO/BLK CASING COV.S/S.RYLO/T			
32	12001622	SCREW TCB TORX B 3,5X9,5 SCHEET NIK			
33	17800442	2POLES CONNECT.SENSOR REED DUMP BOX CST			



E74175

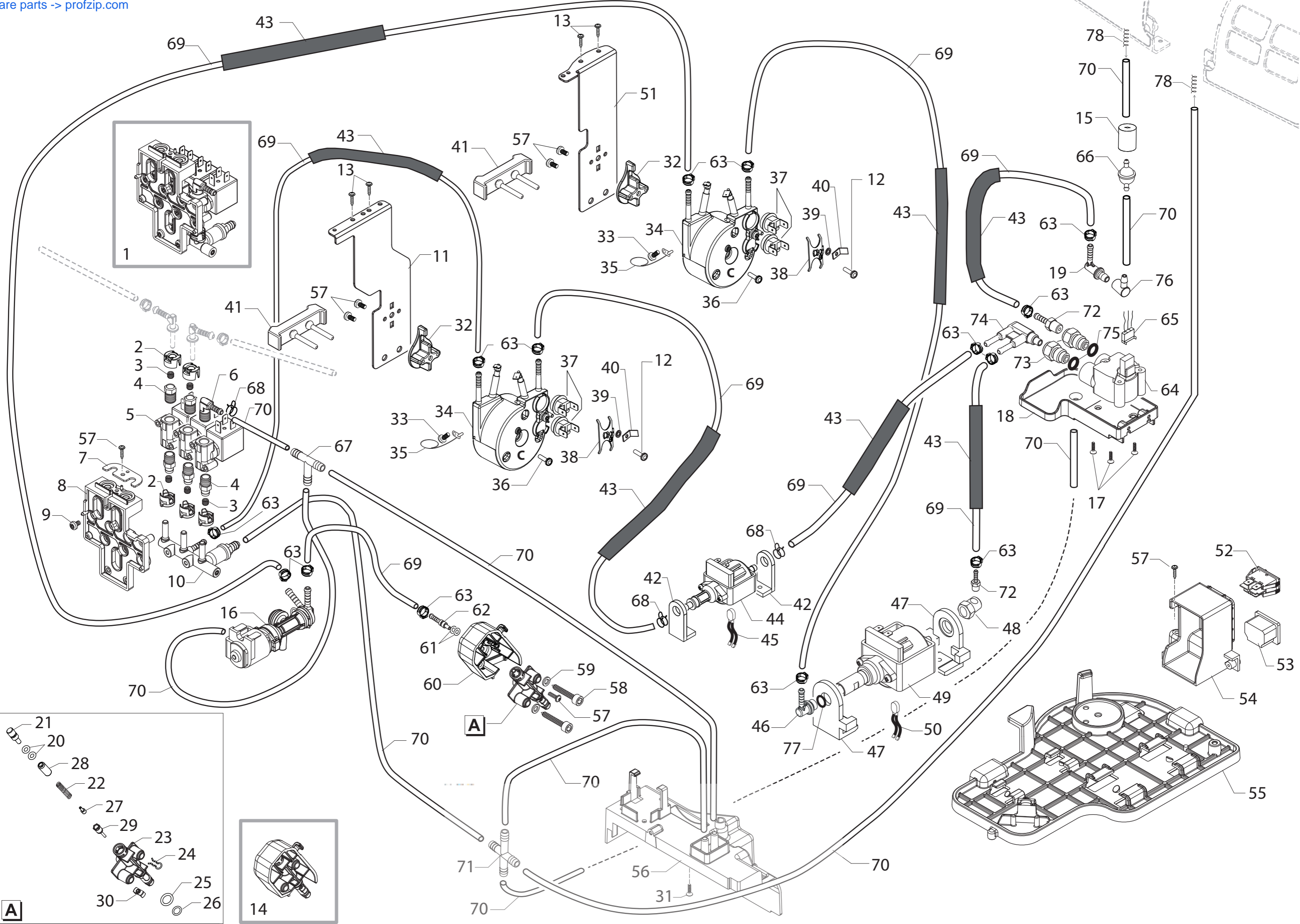
SUP040R

Pos	Article-Nr.	Description	Pos	Article-Nr.	Description
1	11030104	CRC FRONT COF.DISP.COVER RYL/T ASSY.			
2	11025756	GLOSS/SPEC.FRONT COF.DISPENSER COVER RYL			
3	17000251	BLACK INNER BODY COFFEE DISPENS.RYL			
4	11013085	WHITE COFFEE DISPENSER SLIDER MYB9			
5	17000246	BLACK EXT.MOBILE PART COF.DISPENSER RYL			
6	17000248	BLACK REAR COVER COFFEE DISPENSER RYL			
7	140321961	O-RING 2031 TERMOIL			
8	11029670	TF/CHROM.STEAM TUBE RYLO			
9	17000672	BLACK REAR STEAM TUBE SUPPORT RYL			
10	17001437	BLACK FRONT STEAM TUBE SUPPORT RYL			
11	17000815	STEEL STEAM TUBE SUPPORT BRACKET RYL			
12	11001624	BLACK STEAM TUBE WASHER P0049			
13	NF11.084	PHOSPH/STEEL FOLK SPRING			
14	11031415	TF/CHR.TEA/BRASS STEAM TUBE V2 RYLO ASSY			
15	11030101	CRC COFFEE DISPENSER RYL ASSY.			
16	17000390	BLACK LOWER CAPPUCCINATORE LID RYL			
17	17000336	MILK INTAKE TUBE CONNECTOR RYL			
18	17000389	GREY LEFT CAPPUCCINATORE INSERT RYL			
19	17000382	SS CAPPUCCINATORE INSERT SPRING RYL			
20	17000402	GREY RIGHT CAPPUCCINATORE INSERT RYL			
21	11029672	SILICONE TUBE 3,5X6 L=500 MM			
22	17000338	BLACK LEFT ENTRY CAPPUCCINAT.CASING RYL			
23	11030240	BLK UPPER CAPPUC.LID LASER-S/SCR.RYL			
24	17000785	BLACK CAPPUC.INPUT MILK CONNECTOR RYL			
25	NM01.028	O-RING 106 SILICONE			
26	17000257	BLACK.COFFEE DISPENSER SUPPORT RYL			
27	11029671	BLACK CAPPUCCINATORE S/SCR.RYLO ASSY.			
28	17000337	BLACK SEAL FOR COFFEE DISPENSER RYL			
29	17000616	BLACK COFFEE DISPENSER TUBE RYL			
30	17000614	BLACK DISPENSER COFF.INLET CONNECT.RYL			
31	11014016	SS.INSERT FOR MAGNET MYB9			
32	20007031	BLK CAPPUC.OUTPUT STEAM CONNECT.KIT RYL			
33	17000486	BLK CAPPUCCIN.OUTPUT MILK CONNECTOR RYL			
34	9161.111	MAGNET FOR FLOAT SUPERAUT.			
35	12000450	SCREW TCBR TORX 10 3,5X12 PLAST.ZN-N			
36	17000348	BLK CAPPUCCINATORE BOARD SUPP.COVER RYL			
37	11025772	CAPPUCCINATORE BOARD RYL			
38	17000019	SS CARAFE MICRO INSERT SPRING MYB9			
39	17000421	BLACK CAPPUCCINATORE PRESENCE INSERT RYL			
40	17000339	BLACK CAPPUCCINATORE BOARD SUPPORT RYL			
41	20007030	BLACK OUTPUT STEAM TUBE KIT RYL			
42	17001362	BLK MILK INTAKE TUBE CONNECT.INS.V2 RYL			
43	12001622	SCREW TCB TORX B 3,5X9,5 SCHEET NIK			
44	12000895	SCREW TSP TORX 10 3X10 PLAST.SS			
45	NF11.052	OETIKER CLIP			
46	11031165	TEA/BRASS CAPPUC/STEAM TUBE CONN.V3 RYL			
47	17001574	BLACK STEAM TUBE HANDGRIP RYLO			

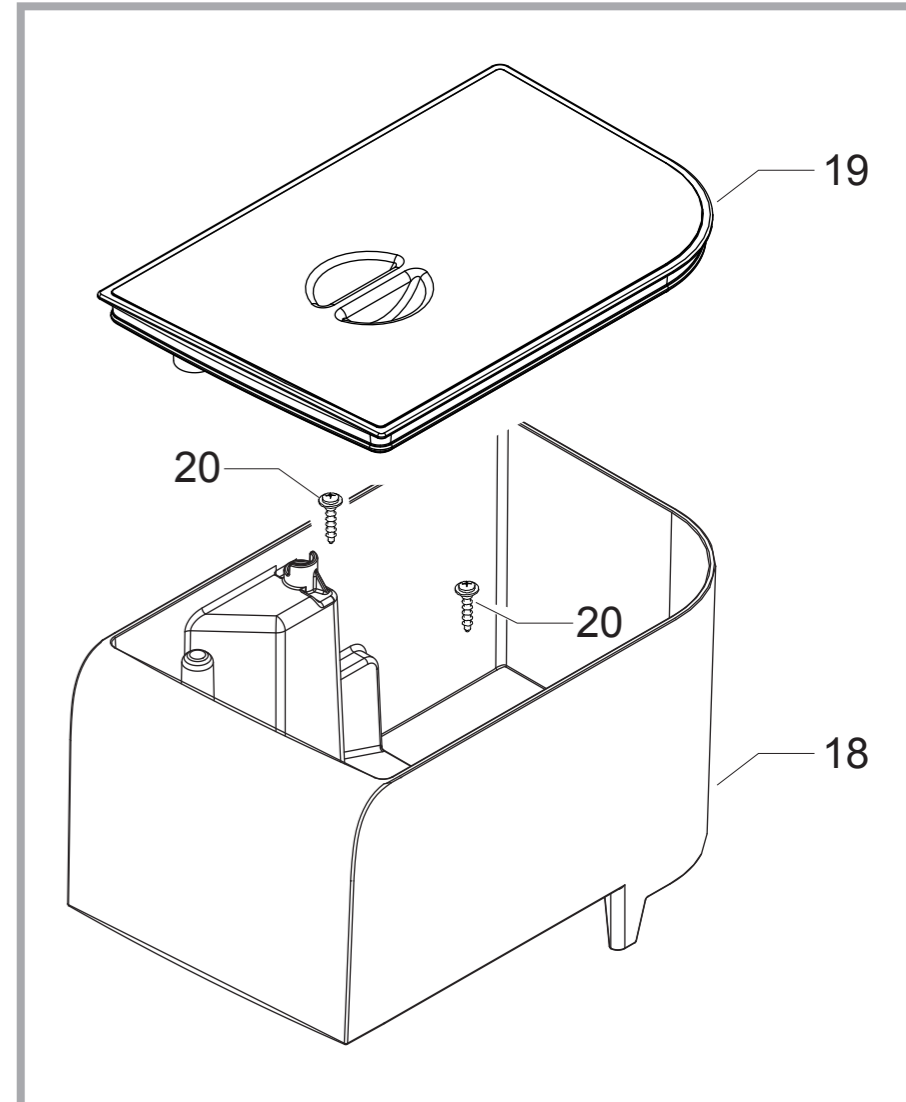
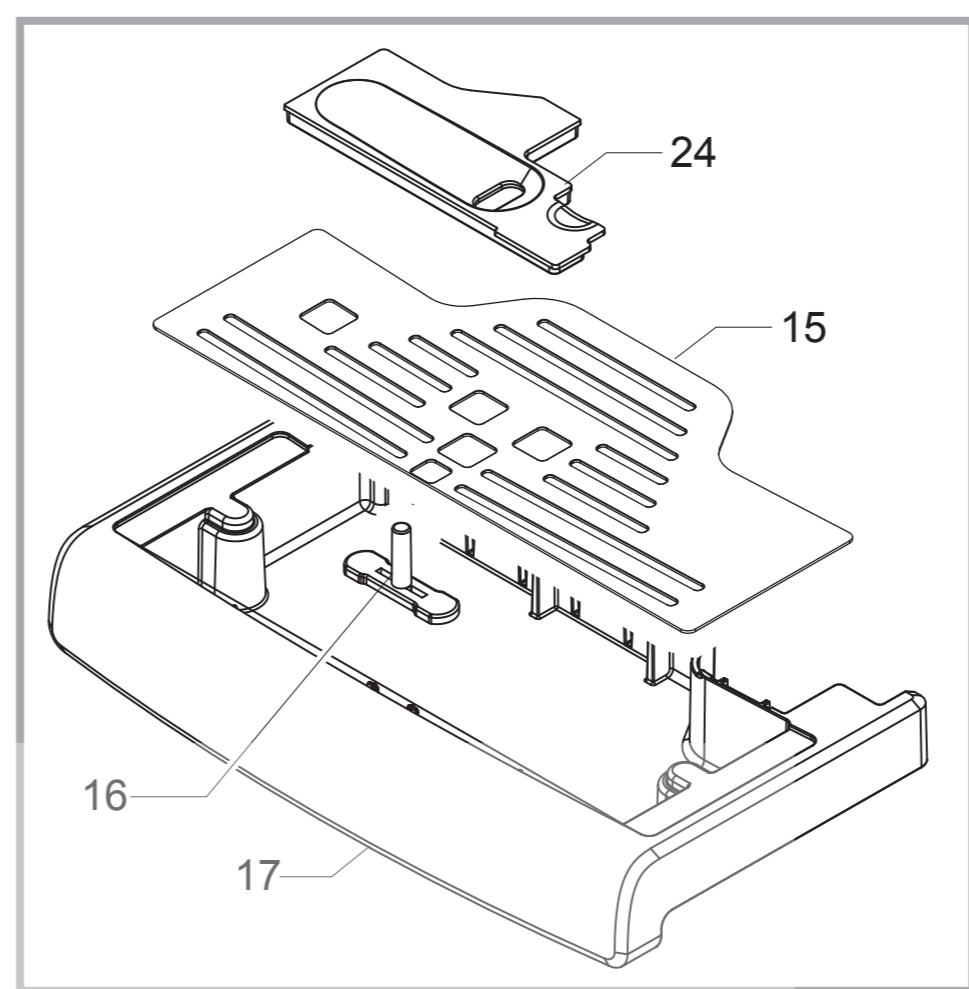
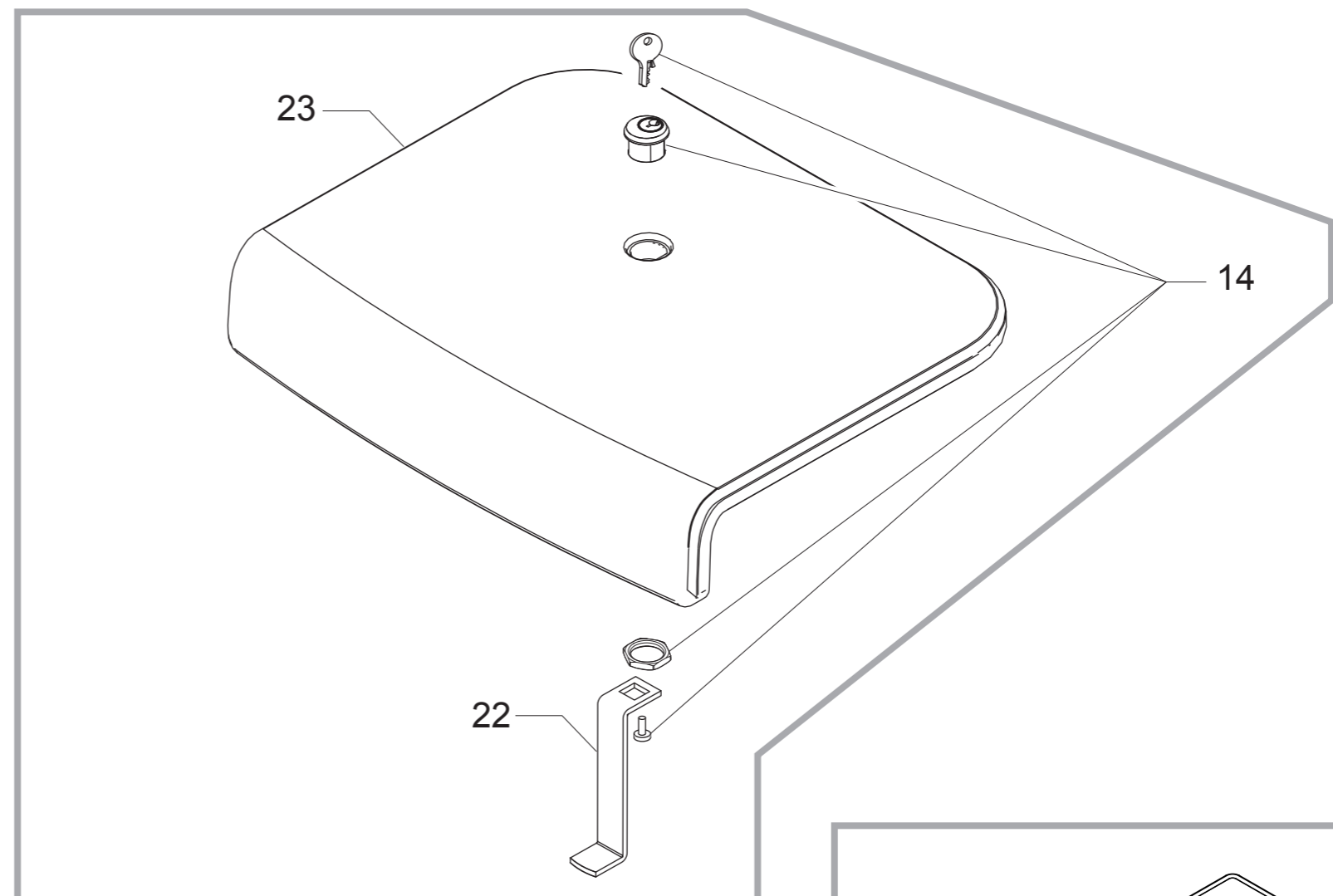
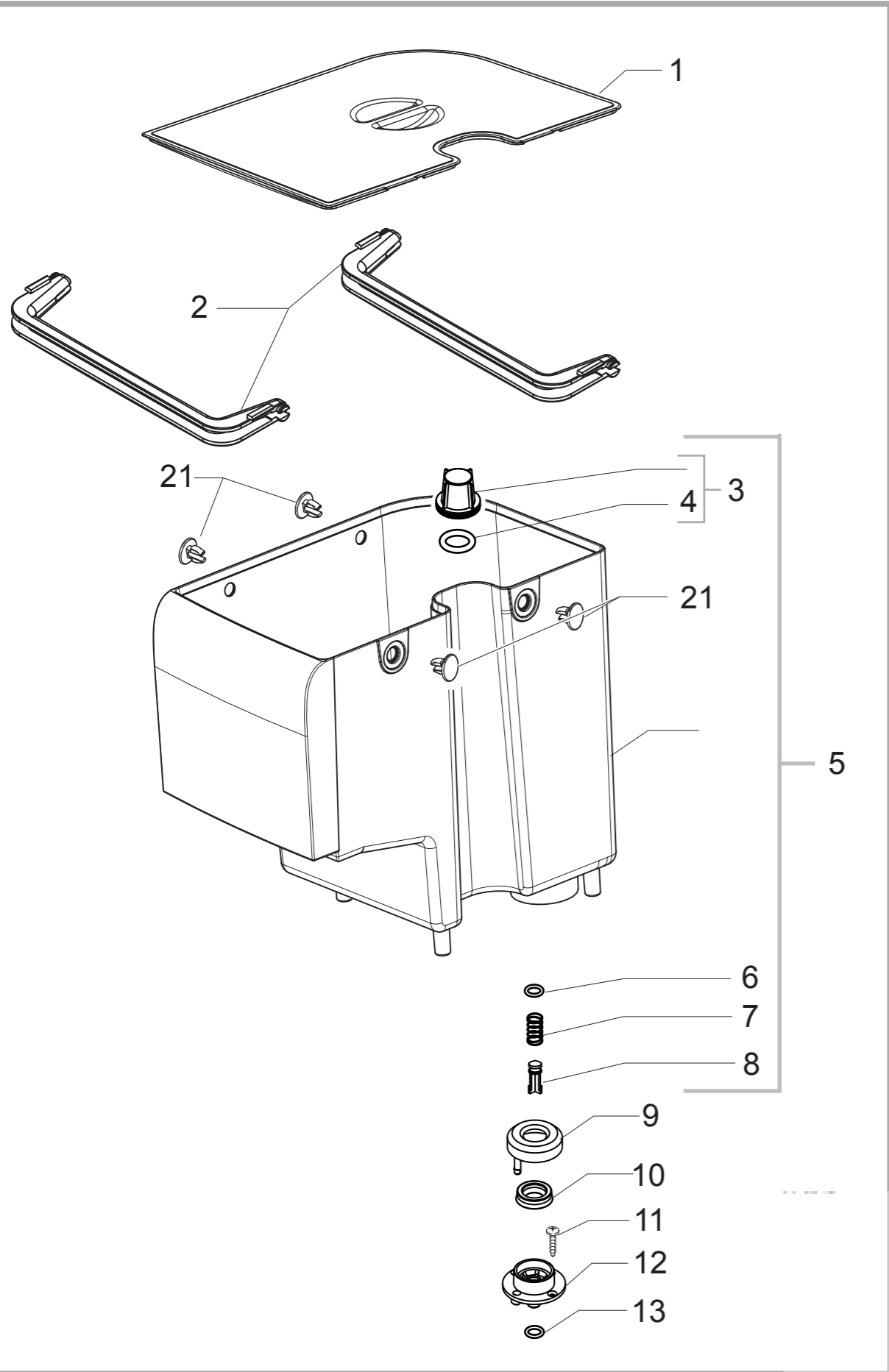


Pos	Article-Nr.	Description
1	17000269	TRANSP.GLASS FOR DISPLAY RYL
2	17000259	BLACK DISPLAY INSERT RYL
3	17000271	BLACK DISPLAY SEAL RYL
4	12001779	WHITE DISPLAY 160x80 0355DP RYL
5	11030168	CRC RIGHT LOW.T.PANEL COVER S/SC.RYLO/T
5	421944011051	TXOBLK RIGHT LOW.T.PAN.COVER S/SC.RYLO/T
6	421944011061	TXOBLK LEFT LOW.T.PAN.COVER S/SC.RYLO/T
6	11030169	CRC LEFT LOW.T.PANEL COVER S/SC.RYLO/T
7	17000831	BLACK LEFT TOUCH PANEL SUPPORT RYLO
8	17000830	BLACK RIGHT TOUCH PANEL SUPPORT RYLO
9	17000485	TRANSP.LEFT TOUCH PANEL RYLO
10	17000484	TRANSP.RIGHT TOUCH PANEL RYLO
11	11027084	CPU+SW RYLO ASSY.
12	17000274	BLACK CPU BOARD SUPPORT RYL
13	17000275	BLACK PWR BOARD SUPPORT RYL
14	11030311	PWR BOARD RYLO 230V
14	421941302411	PWR BOARD RYLO 120V
15	17000277	BLACK CPU-PWR BOARDS COVER RYL
16	12000450	SCREW TCB TORX 10 3,5X12 PLAST.ZN-N
17	129913202	SCREW TCB TORX 10 3X8 PLAST.ZN-B
18	17001152	POWER BOARD PROTECTION RYL
19	12001622	SCREW TCB TORX B 3,5X9,5 SCHEET NIK
20	11025849	CRC RIGHT UPP.T.PANEL COVER S/SC.RYLO/T
20	421944011021	TXOBLK RIGHT UPP.T.PAN.COVER S/SC.RYLO/T
21	421944011041	TXOBLK LEFT UPP.T.PAN.COVER S/SC.RYLO/T
21	11025850	CRC LEFT UPP.T.PANEL COVER S/SC.RYLO/T

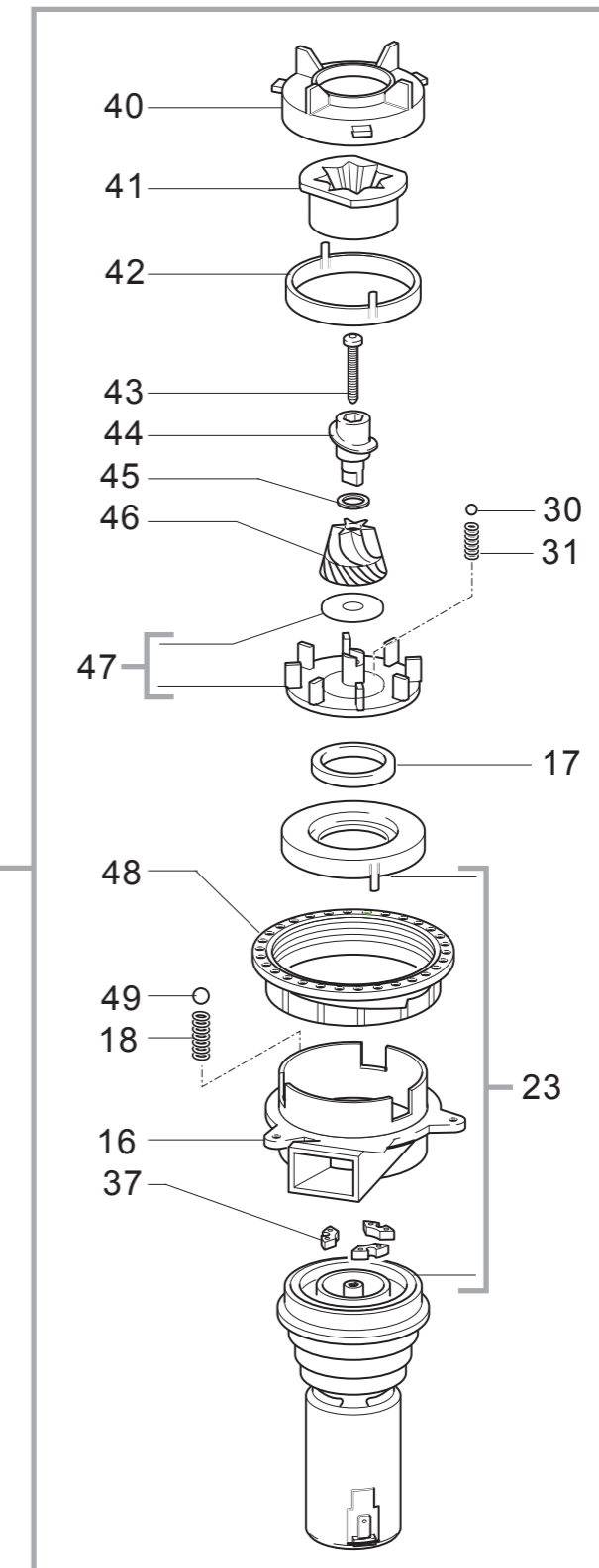
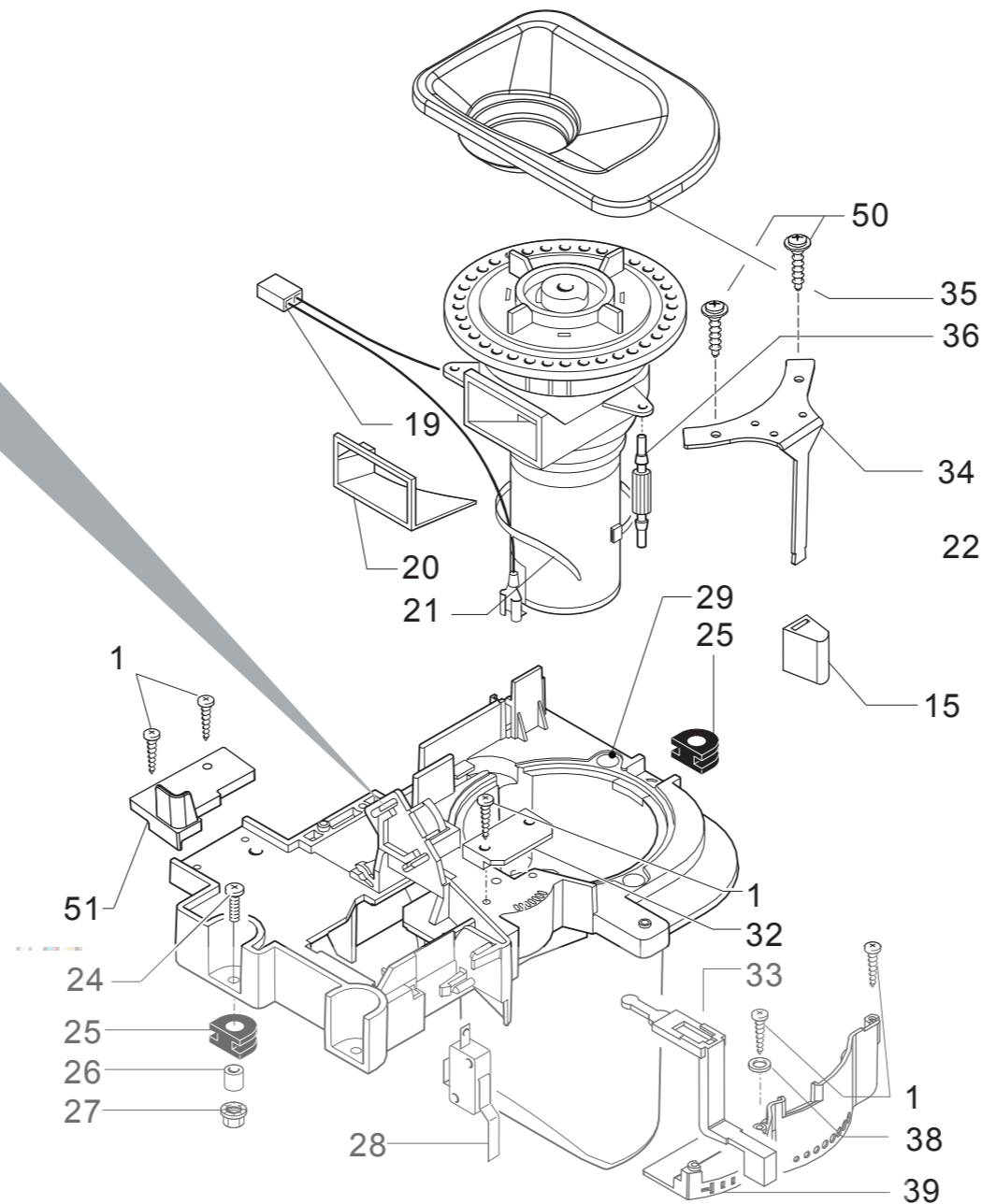
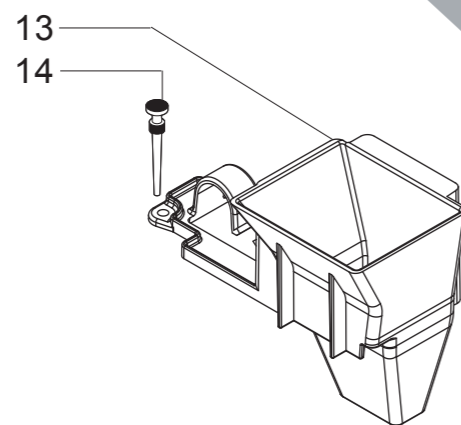
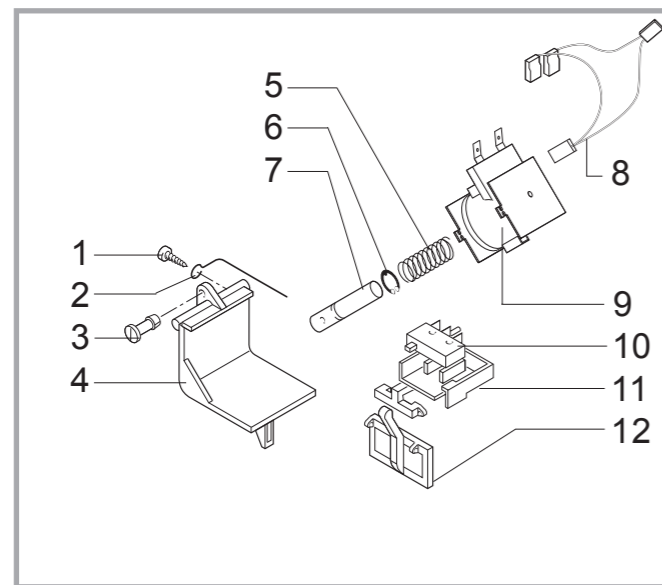
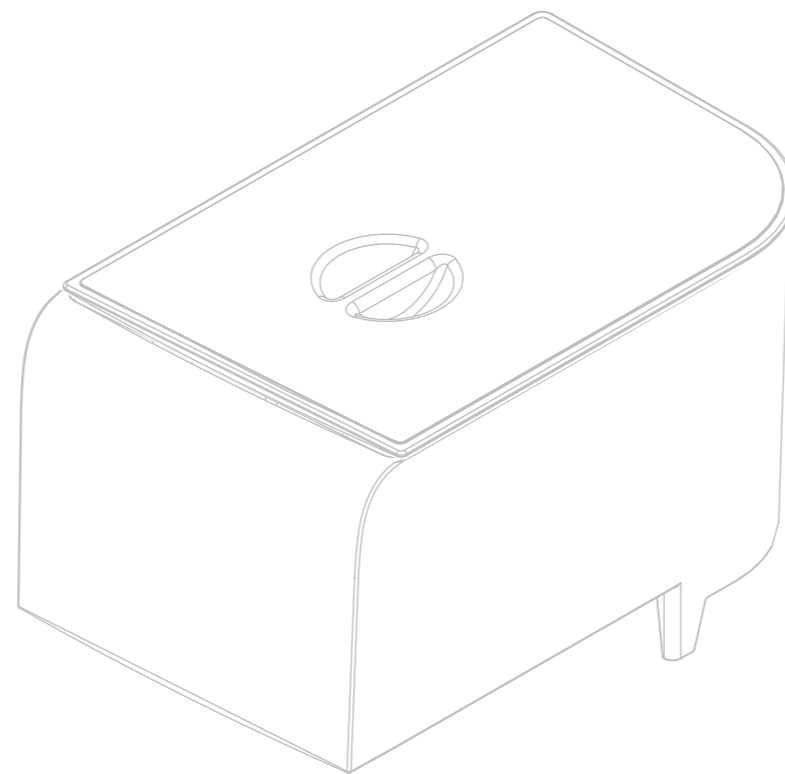
Pos	Article-Nr.	Description
-----	-------------	-------------



Pos	Article-Nr.	Description	Pos	Article-Nr.	Description
1	11031414	TEA/BRASS ELECTROV.V3 24V RYL/T ASSY.	47	11022857	BLACK PUMP SUPPORT GMYB
2	17001178	BLK EV 1/8"GAS.CONNECTOR V2 INSERT RYL	48	9181.350	TEA/BRASS REAR CONNECTOR 1/8" ULKA PUMP
3	17001909	RED EV CONNECTOR 1/8"GAS SEAL V2 RYL	49	12000131	ULKA PUMP EP5/S 120V-60HZ
4	11027334	TEA/BRASS ELECTROV.CONNECT1/8"GAS V2 RYL	49	12000140	ULKA PUMP EP5/S GW 230V-50HZ
5	17001262	LFBRASS 2W.EV 21JN1RRV20-X005+LBV05024CU	49	12000182	ULKA PUMP EP5/S GW 220V-60HZ
6	11024469	L-F/BRASS CONNECTOR FOR BOILER AURA	50	17800202	2POLES CONNECTOR COFFEE PUMP RYL UL
7	17000428	STEEL CONNECTORS FIXING PLATE RYL	51	17000163	STEEL COFFEE TUBOL.BOILER SUPPORT RYL/T
8	17000168	BLACK ELECTROV/CONNECTOR SUPP.RYL	52	NE03.038	BIPOLAR SWITCH FUSIT C1250AR
9	U043.012	SCREW TCB TORX 20 M4X6 ZN-B	53	12001645	CUP SOCKET V2 EN 60320 C 13
10	17001908	BRASS 4WAYS CONNECT+SAFETY VALVE V3 RYL	53	12001883	CUP SOCKET V3 EN 60320 C 13
11	17000166	STEEL STEAM TUBOL.BOILER SUPPORT RYL	54	17000162	BLACK SOCKET-SWITCH SUPPORT RYL
12	12001715	SCREW TCB TORX 20 M4X8 AUTOFORMING ZN-B	54	11028204	BLACK SOCKET-SWITCH SUPPORT RYL UL
13	12001622	SCREW TCB TORX B 3,5X9,5 SCHEET NIK	55	17000973	BLACK COMPONENTS SUPPORT RYLO
14	11025744	TEA/BRASS HOT WATER PIN RYL ASSY.	56	17000165	BLACK DRIP TRAY PROTECTION RYL
15	147756562	BLK PROTECTION FOR FOLK SPRING TUBE D=4	57	12000450	SCREW TCBR TORX 10 3,5X12 PLAST.ZN-N
16	11025742	BLOWDOWN VALVE V3 RYL 230V ASSY.	58	11003555	GALVANIZED SELF-TAPPING SCREW 4,8X32
16	11028187	BLOWDOWN VALVE V3 RYL 120V ASSY.	59	128310521	WASHER UNI 8842 A5 SS
16	11028161	BLOWDOWN VALVE V3 RYL 220V-60HZ ASSY.	60	17000156	BLACK HOT WATER PIN SUPPORT RYL
17	129912104	SCREW TCBR TORX 20 4X10 PLAST.ZN-N	61	140328059	OR 2015 SILICONE PTFE/FDA
18	17000821	BLACK TURBINE SUPPORT RYLO	62	11000750	TEA/BRASS CONNECTOR FOR SILICONE TUBE
19	17001358	BLK WATER CONT/FLOWMETER 90°CONNECT.RYLO	63	12000892	OETIKER CLAMP D=9,5 16700004
20	140326662	OR ORM 0040-20 SILICONE	64	NV99.033	DIGMESA TURBINE IN PLASTIC
21	11026413	TEA/BRASS HOT WATER PIN PLUG RYL	65	17800520	6POLES CONNECTOR FLOWMETER RYLO UL
22	9011.132	SS SPRING FOR PIN	66	12001595	TRANSP/WHITE ASPIRATION FILTER MDS
23	9161.434	HOT WATER PIN	67	147920300	TRANS.CONNECTOR D=8 ART.80.26.047 KA.461
24	9011.144	SS FORK FOR TUBE D=4	68	184320200	SPRING HOSE CLAMP D=9,5MM
25	NM01.035	OR ORM 0090-20 SILICONE	69	16000380	5X8,9 SILICONE TUBE IN ROLL
26	NM01.057	OR ORM 0050-20 IN SILICONE	70	JS01.022	SILICONE TUBE 5X10 60SH IN ROLL
27	11009013	TEA/BRASS PIN FOR PISTON L=10	71	12001812	TRANSP.CROSS CONNECTOR D=8 RYLO
28	11009012	TEA/BRASS BOILER PIN BUSH	72	11006304	TEA/BRASS CONNECTOR FOR ALUM.BOILER
29	11009019	TEA/BRASS PISTON L=20,9 ASSY.	73	9181.406	TEA/BRASS CONNECTOR TURBINE MF 1/4 1/8
30	11005099	NATURAL CURSOR V2 FOR BOILER P119	74	11010243	TEA/BRASS 90° DOUBLE CONNECTOR
31	129913902	SCREW TCB TORX 10 3X12 PLAST.ZN-B	75	NM01.049	OR ORM 0070-20 SILICONE
32	11023282	BLACK SLIM TUB.BOILERS SUPPORT MYB9	76	147920150	90° INLET PUMP CONNECTOR
33	129573402	SCREW TAPT M4X10 DIN 7985 GALV	77	140321961	O-RING 2031 TERMOIL
34	11023153	SLIM TUB.BOILER 1300W 120V ASSY.	78	0701.081	SPRING FOR TUBE PRODUCT 1
34	11013735	SLIM TUB.BOILER 1300W 230V ASSY.	100	11025705	COFFEE TUB.BOILER 230V RYL/T ASSY.
35	190800100	TEMPERATURE SENSOR NTC UL L=280MM	100	11025706	STEAM TUB.BOILER 230V RYL ASSY.
36	12001369	SCREW TSP TORX 10 5X35 PLAST.SS	100	11028182	COFFEE TUB.BOILER 120V RYL/T ASSY.
37	12001033	THERMOSTAT ONE SHOT 190°	100	11028183	STEAM TUB.BOILER 120V RYL ASSY.
38	11001751	TUB.BOILER V3 UPPER THERM.FIXING SPRING			
39	128310402	GALV.WASHER UNI 8842 A4			
40	124390520	BRASS BENT FASTON 45° 6,3X0,8			
41	17000471	BLACK BOILER ANTIVIBRATION RYL			
42	11029554	BLACK/SBD ULKA MF PUMP SUPPORT			
43	16000540	TRANSPAR.11X12,8 SILICONE TUBE IN ROLL			
44	12001212	ULKA PUMP MF 230V-50HZ			
44	12001346	ULKA PUMP MF 120V-60HZ			
44	12001348	ULKA PUMP MF 220V-50/60HZ			
45	17800203	2POLES CONNECTOR STEAM PUMP RYL UL			
46	11001054	BLK PUMP OUTLET 90°CONNECTOR P0049/B			



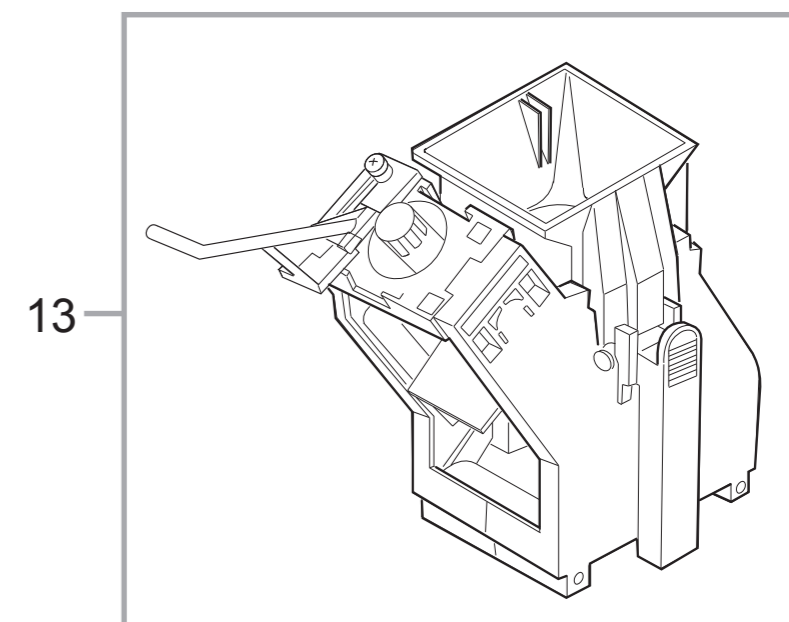
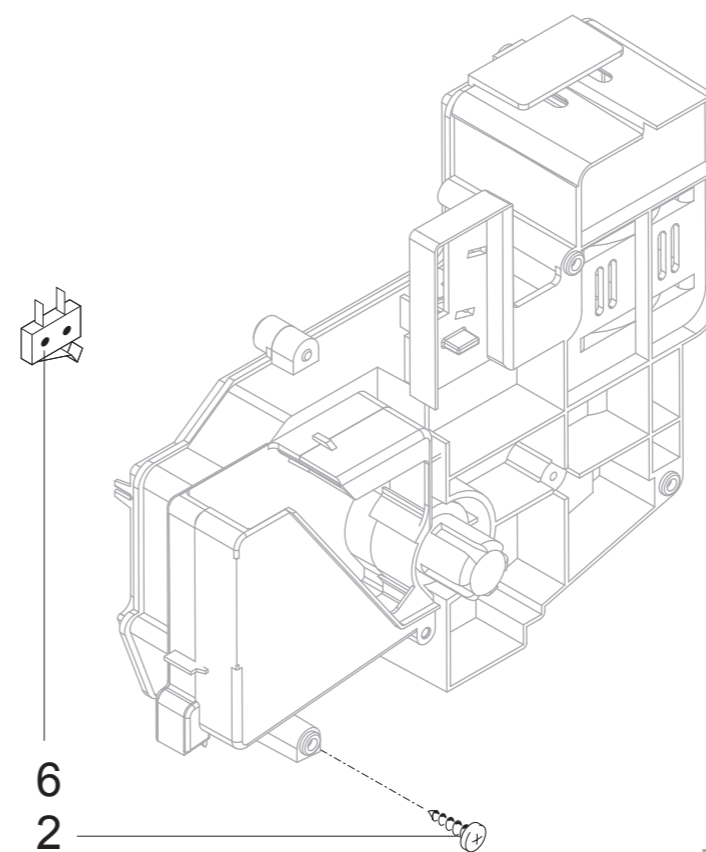
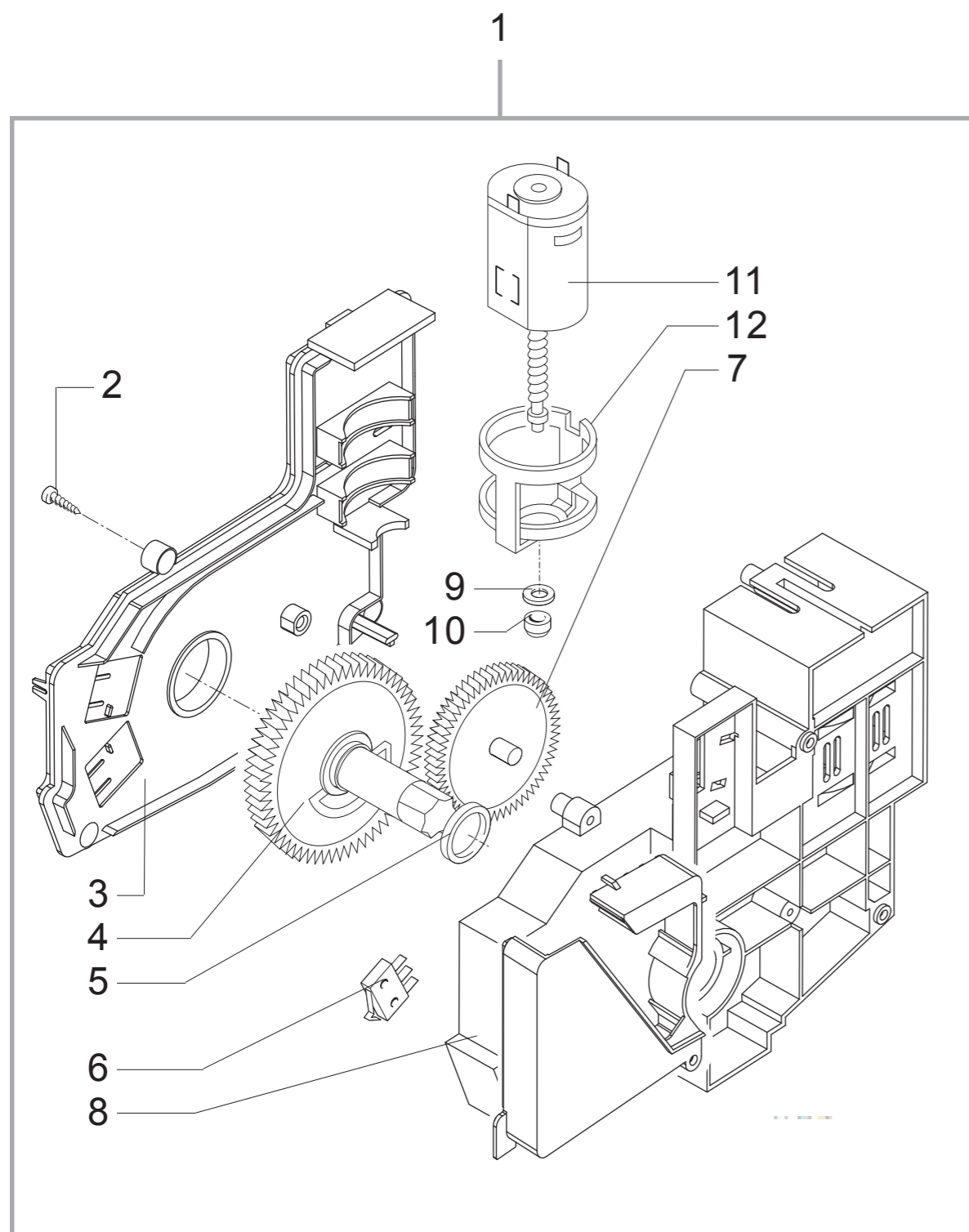
Pos	Article-Nr.	Description	Pos	Article-Nr.	Description
1	11025848	BLACK WATER CONTAINER LID RYLO			
2	11025847	BLACK HANDLE WATER CONTAINER LID RYLO			
3	224640200	WHITE WATER CONTAINER EXT.FILTER ASSY.			
4	140328461	OR ORM 0190-10 EPDM			
5	11025846	TRANSP/GREY WATER CONTAINER RYLO ASSY.			
6	140324362	OR ORM 0060-30 SILICONE			
7	126764718	SS WATER CONTAINER VALVE SPRING			
8	147660562	GREY PISTON FOR WATER CONTAINER VALVE			
9	0701.031.150	GREY WATER VALVE GACO DIM 14 SEAL COVER			
10	145842900	NBR WATER CONT.VALVE GACO DIM14 SEAL			
11	12000895	SCREW TSP TORX 10 3X10 PLAST.SS			
12	0701.014.150	GREY WATER VALVE GACO DIM 14 SEAL CONT.			
13	140320461	OR ORM 0080-20 TERMOIL			
14	12001902	LOCK MERONI 337			
15	11029899	SB/SS DRIP TRAY GRATE RYL/T			
16	17000991	RED FLOAT V2 FOR DRIP TRAY RYL			
17	11030099	CRC DRIP TRAY RYL ASSY.			
17	11031093	TXO/BLK DRIP TRAY RYL ASSY.			
18	11025841	TRANSP/GREY BEAN CONTAINER RYLO			
19	11025844	BLACK BEAN COFFEE CONTAIN.LID RYLO ASSY.			
20	12001431	SCREW TCB TORX 10 3X12 PLAST.SS			
21	17001255	BLACK PLUG FOR WATER CONTAIN.HANDLE RYL			
22	17001987	STEEL CONTAINERS LID LOCK BRACKET RYLO			
23	421941301061	TXO/BLK CONTAINERS LID RYLO TO ASSY.			
23	11025829	CRC CONTAINERS LID RYLO TO ASSY.			
24	17000982	BLACK DRIP TRAY COVER RYL			



E74175

SUP040R

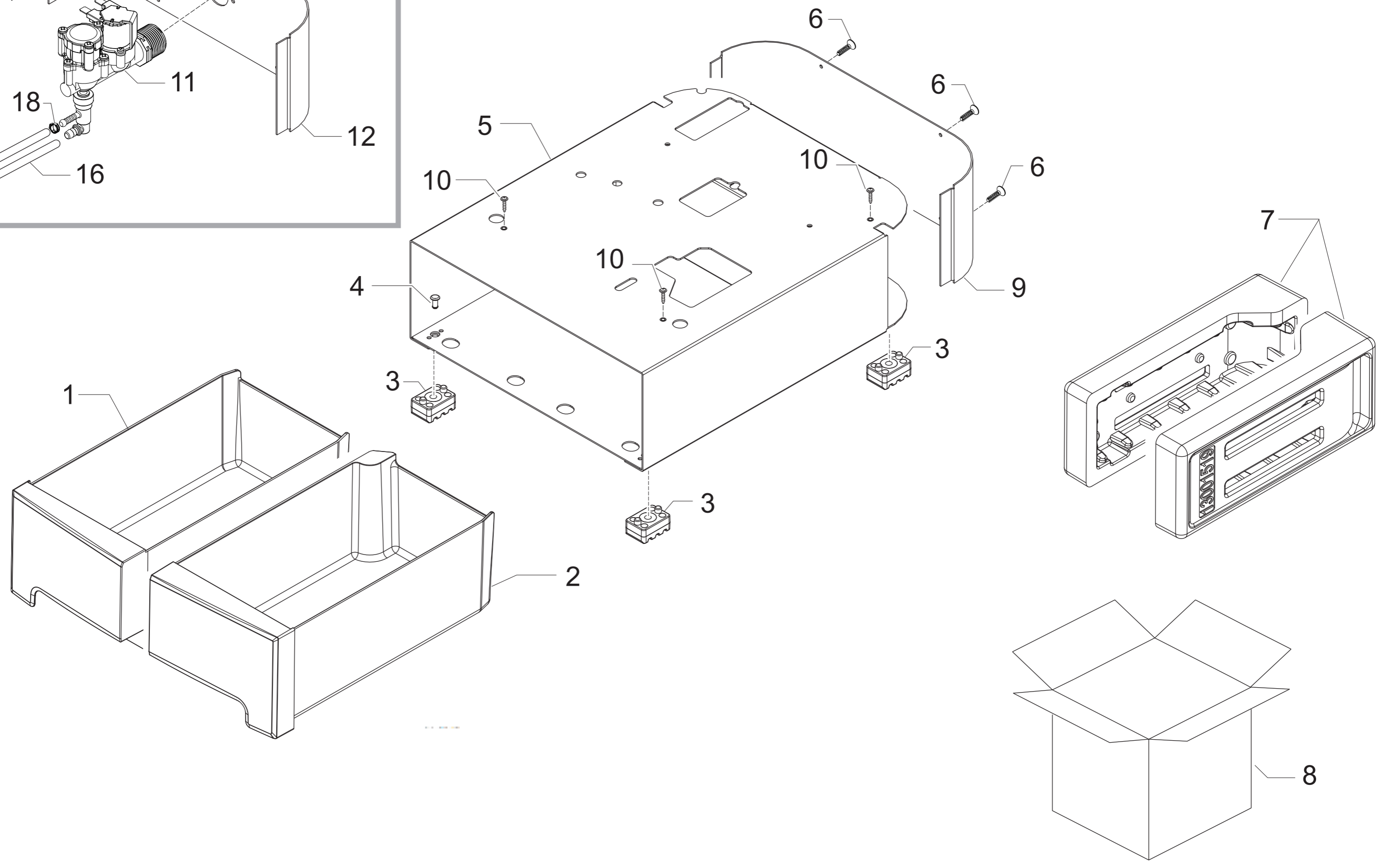
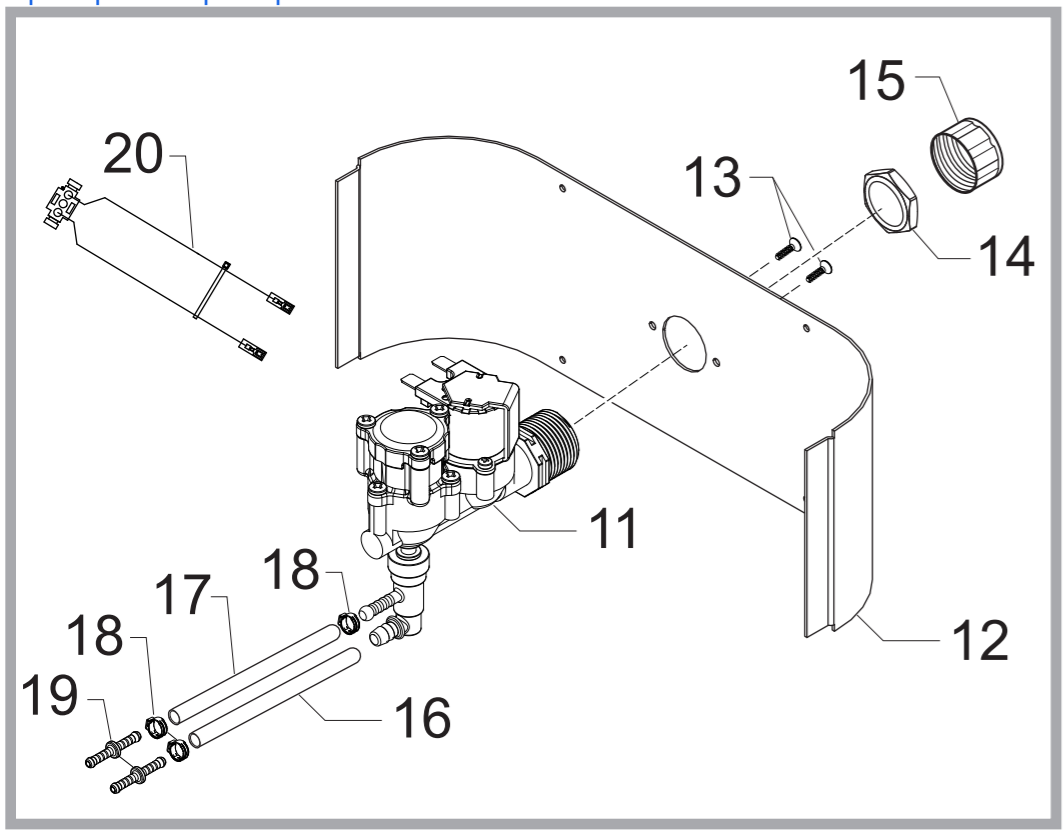
Pos	Article-Nr.	Description	Pos	Article-Nr.	Description
1	129913902	SCREW TCB TORX 10 3X12 PLAST.ZN-B	51	17001155	GREY COVER FOR DOSER HOLE RYL
2	9161.048	STEEL GROUND COF.DOSER SCRAPER ROD			
3	9161.076.150	GREY GROUND COF.DOSER DOOR PIN			
4	9161.074.150	GREY GROUND COFFE DOSER DOOR			
5	126764818	SPRING ELECTROM.BEAN DOSER MAGIC			
6	U701.003	SNAP RING 7 UNI 7434			
7	9161.041	STEEL GROUND COF.DOSER ELECTROMAGN.CORE			
8	421946000541	4P.CONN.COIL+DOSER MICRO V2 RYL UL ASSY.			
9	11025734	DOSER COIL FOR SUPERAUTOM.24V DC ASSY.			
10	NE05.017	MICROSWITCH			
11	9161.072.150	GREY MICRO SUPP.CURSOR GROUND COF.DOSER			
12	9161.073.150	GREY GROUND COF.DOSE CONTROL COMPENSATOR			
13	17000176	BLACK HOPPER FOR POWDER COFFEE RYL			
14	9161.082	RUBBER COUPLER			
15	0333.009	BLK GRINDING ADJUST.LEVER HANDGRIP ROYAL			
16	9141.080	BLACK COFFEE GRINDER MOTOR SUPPORT			
17	140360200	FELT RING 40X34X5			
18	126770117	NEW SPRING SPHERE D=3,2 MOTOR MAGIG			
19	17800209	2POLES CONNECTOR GRINDER MOTOR RYL UL			
20	1505.014	COFFEEGRINDER SEAL			
21	144320200	SELF LOCK STRIP W=2.6 L=200			
22	9140.036.00A	COFFEE GRINDER STD 230V ASSY.			
22	9140.036.00F	ASS.MOTOR STD 120V			
23	0301.R10.00A	SPARE MOTOR UNIT MC 230V			
23	0301.R10.00F	SPARE MOTOR UNIT MC 120V			
24	U043.004	ZN-B TCB SCREW M4X16			
25	9991.005	RUBBER FOR COFFEE GRINDER			
26	9141.003	SPACER FOR RUBBER			
27	U324.006	NUT M4 FLANGED INDENTED BASE			
28	12001605	MICROSWITCH			
29	9161.365.150	GREY PLATE COFFEEGRINDER MAGIC/ROYAL			
30	128610521	STAIL.STEEL AISI 304 SPHERE D=5,5MM			
31	126765517	STEEL SPRING SPHERE D=5,5 MOTOR MAGIC			
32	9161.097.150	GREY GROUND COF.DOSER LEVER FIXING PLATE			
33	0313.003.150	7016/GREY GROUND COF.DOSER ADJUSTM.LEVER			
34	0333.008	STEEL GRINDING ADJUSTMENT LEVER			
35	17000238	COFFEE GRINDER SOUNDPROOFING COVER RYL			
36	9991.103	ANTIVIBRATION FOR COFFEEGRINDER			
37	140230400	SHOCK ABS .CONICAL GRINDER SUPP.MAGIC			
38	U201.001	PLAIN WASHER 3,2X9 DIN 7349 GALV.			
39	17000832	GRY COFF.GRINDING/DOSE ADJUST.SCALE RYLO			
40	149186150	BLACK UPPER GRINDER SUPPORT MAGIC			
42	142844550	UPPER GRINDER COVER COFFEE GRIND. MAGIC			
43	129931002	TORX SCREW T10 TCB 3,5X40 SX ZNG			
44	147470763	BLK INCREASE SCREW PIN COF.GRINDER MAGIC			
45	U201.002	PLAIN WASHER 10X16X0,2DIN 988 GAL			
46	226477700	KIT ITAL MILL GRINDERS			
47	149188750	CONICAL GRIND. SUPP. + RING MAGIC			
48	146570950	RING NUT FOR GRINDING ADJUSTMENT MAGIC			
49	128610421	STAIL.STELL AISI 304 SPHERE D=3,2MM			
50	12000450	SCREW TCB TORX 10 3,5X12 PLAST.ZN-N			



E74175

SUP040R

Pos	Article-Nr.	Description	Pos	Article-Nr.	Description
1	11025736	RATIOMOTOR RYL ASSY.			
3	129670202	TCB PANELVIT SCREW 3,5X16 TESTA D=8 ZNP			
4	17000719	GREY RATIOMOTOR LID RYL			
5	11007137	BLACK GEAR Z=77 V2 FOR RATIOMOTOR P124			
6	9161.368	MYLAR WASHER FOR RATIOMOTOR			
7	NE05.038	MICROSWITCH SAIA XCG5-81-P5			
8	146002800	GREY GEAR Z=13/90 FOR RATIOMOTOR P124			
9	11026258	GREY RATIOMOTOR CASING WITH TUBE ASSY.			
10	148380200	BAKELIZZATE WASHER D=5,5			
11	9121.046	BRONZE SINTERED BUSH FOR MOTOR RATIOMOT.			
12	11005214	MOTOR FOR RATIOMOTOR P124 ASSY.			
13	9121.044	ANTIVIBRATION FOR MOTOR			
14	11003800	BLACK BREW UNIT MAGIC/ROYAL			



E74175

SUP040R

Pos	Article-Nr.	Description	Pos	Article-Nr.	Description
1	11029731	CRC BASE REPOSITORY DRAWER RYLO			
2	11029719	CRC BASE DUMP BOX RYLO ASSY.			
3	11021829	BLACK/TRANSP.RIGID FOOT MYB9			
4	11021769	BLACK RIGID FOOT FIXING PIN MYB9			
5	11029720	BLACK STEEL BASE CASING RYLO ASSY.			
6	12001622	SCREW TCB TORX B 3,5X9,5 SCHEET NIK			
7	13001519	PS-E INSERT FOR BOX BASE RYLO			
8	13001676	HAVANA BOX V2 BASE RYLO			
9	11029700	BLACK BASE REAR PANEL RYLO			
10	129914302	SCREW TORX M4X10 TESTA D=8X1,5 GALV			
11	17001582	CONNECT.WATER SUPPLY RYLO RI ASSY.			
12	11029701	BLACK BASE REAR PANEL RYLO RI			
13	129912104	SCREW TCB TORX 20 4X10 PLAST.ZN-N			
14	NV99.075	GHIERA IN NYLON G3/4" 6 MM.			
15	NV03.002	"CAP 3/4 ""KAPSTO 800R 3/4"""			
16	JS01.022	SILICONE TUBE 5X10 60SH IN ROLL			
17	16000380	5X8,9 SILICONE TUBE IN ROLL			
18	12000892	OETIKER CLAMP D=9,5 16700004			
19	17001018	BLACK WATER SUPPLY CONNECTOR RYLO RI			
20	17800518	3P.CONN.WATER SUPPLY COIL RYLO RI UL ASS			